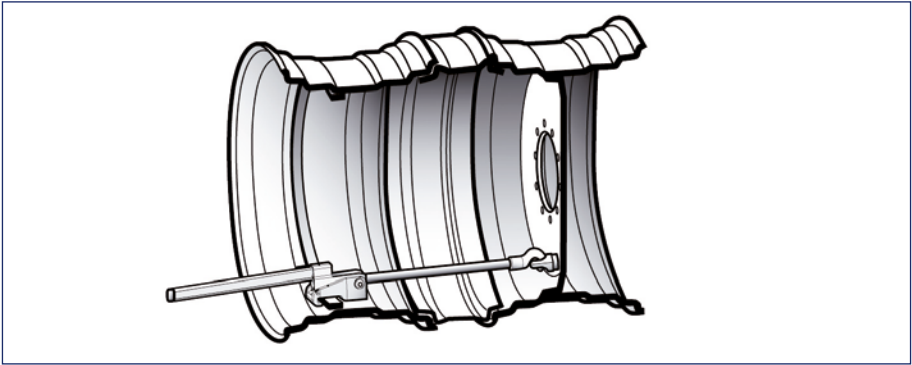


# DU0500

Dual mounting system.



## Advantages

- One supplier for the complete package: tyre - wheel - dual
- Easy maintenance, easy service
- No modifications needed for the tractor
- Easy to mount and demount
- Attached rim and drum for easy handling
- Customized distance between wheels

## THK

Trelleborg High Knurling - THK handles high stress and extreme torque, enabling tractors to work at maximum efficiency and productivity.

Together with Trelleborg Extra Large tyres, THK represents a system that meets all requirements.

New technology has delivered an advanced knurling design where the height of the profile has almost doubled, providing maximum performance at high speed and torque. In addition, by coating the bead seat of the rim with friction paint, the grip is significantly improved so that tyre slippage at extreme torque is prevented.

